

DS TRP - DS TBR

MULTIJET
METERS VERTICAL
TYPE

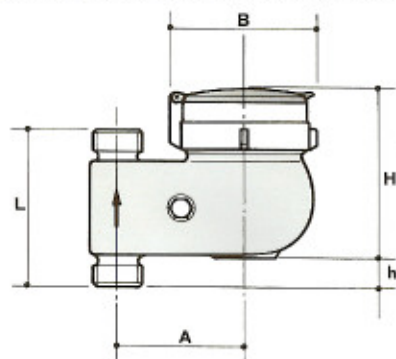
 **maddalena**[®]



Multijet meters vertical type

THE PRODUCT

The "vertical" version multijet meter has been developed for those particular installations in which a traditional horizontal meter cannot be used because the water supply pipe is vertical. This meter is manufactured in the TBR version (for all sizes) and in the TRP version (only for Qn 1,5 and 2,5).



STRUCTURAL CHARACTERISTICS

- Internally and externally epoxy painted
- Brass body.
- Brass cap.
- Glass cover of adequate thickness cut from glass plate.

- Lid made from shockproof plastic material.
- Internal filter of adequate filtering section.
- Internal mechanisms made from, wear-resistant waterproof, antimagnetic and antiscaling plastic material.

FUNCTIONAL CHARACTERISTICS

- Mechanical transmission not effected by external magnetic fields or ferrous particles in the water.
- Hydraulic performances according to the current standards CEE 75/33
(The meter is homologated in EEC CLASS B).
- All meters undergo a selective precision test at 3 flowrates using testing benches certified by European Metrological Authorities.
- On request, the meters can be supplied with official ECC marking that certifies that initial verification has been carried out.

OVERALL DIMENSIONS AND HYDRAULIC PERFORMANCES

| SIZE | mm | 15 | 20 | 25 | 40 |
|----------------------------|-------------------|------------|------------|----------|-----------|
| | inches | 1/2" | 3/4" | 1" | 1.1/2" |
| Qmin | l/h | 30 | 50 | 70 | 200 |
| Qt | l/h | 120 | 200 | 280 | 800 |
| Qn | m ³ /h | 1,5 | 2,5 | 3,5 | 10 |
| Qmax | m ³ /h | 3 | 5 | 7 | 20 |
| Starting flowrate | l/h | 10 | 10 | 20 | 35 |
| Max reading | m ³ | 100.000 | 100.000 | 100.000 | 100.000 |
| Min reading | liters | 0,05 | 0,05 | 0,05 | 0,05 |
| Working pressure | bar | 16 | 16 | 16 | 16 |
| | MPa | 1,6 | 1,6 | 1,6 | 1,6 |
| Length without tail pieces | mm | 105 | 105 | 150 | 200 |
| Length with tail pieces | mm | 185 | 204 | 268 | 338 |
| EEC homologation nr. | | NL 83 E 74 | NL 83 E 74 | D79 | D77 |
| | | (TBR) | (TBR) | 6.131.02 | 6.131.102 |
| | | B89 317.02 | B89 317.02 | | |
| | | (TRP) | (TRP) | | |

The DS VERTICAL meters can be supplied with special "double reed" impulse emitter (see specific leaflet). Furthermore a version with the outlet machined for the insertion of a non return valve to protect the meter and piping from eventual backflows is available. When constructed with specific materials DS VERTICAL meter can be used with hot water up to 90°.



MADDALENA S.R.L.

E-mail: info@maddalena.it • www.maddalena.it • P.O. BOX 227 • 33100 UDINE (ITALY) • Telephone +39 0432 634811 • Telefax +39 0432 679820
Factory: Via G.B. Maddalena 2/4 • 33040 POVOLETTO UDINE (ITALY)

We reserve the right to introduce any modification which may improve the quality of our product. Our technical staff is at your service for further information and to help you solve your technical problems.