

CD FOCUS

SINGLE JET
WATER METER
CLASS C

 **maddalena**[®]



F 96

382.003



ISO 9001 - Cert. n° 0773/2

Magnetic drive single jet water meter Class C

THE PRODUCT

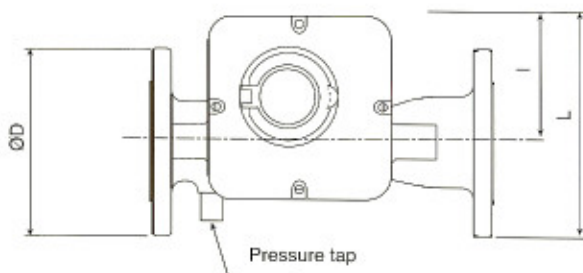
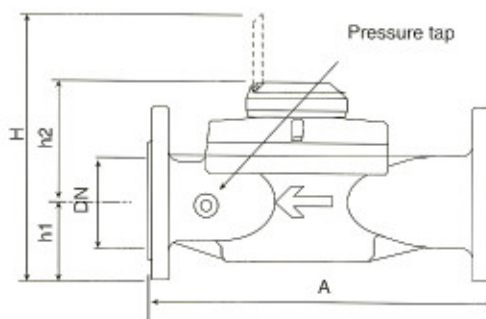
CD Focus is a single jet water meter, Class C, available in sizes 50 - 65 - 80 and 100 mm. Thanks to the hydraulic performances, CD Focus is ideal in water distribution systems, collection points, refining or pumping stations, water production plants and large industrial connections. Furthermore, thanks to the good performances at low flowrates, CD Focus is able to detect any leaks from the system, allowing the water distribution company to have an accurate calculation of the hydraulic balance.

The high performances of the meter are reached thanks to the materials used for the construction. The hub is made in stainless steel + Teflon, the nozzle is made from fibreglass injected plastic and optimizes head-loss, reduces the frequency of upstream perturbations, and results in pressure and impact resistance.

STRUCTURAL AND FUNCTIONAL CHARACTERISTICS

The magnetic drive single jet water meter has the following characteristics:

- Class C approved according to EEC 75/33 standards.
- Flanged body in cast iron PN 10 or PN 16 painted internally and externally with epoxy paint.
- Transmission by magnetic coupling.
- Working temperature 30°C with 50°C safety temperature.
- Direct reading on 6 numbered drums in cubic meters 2 drums for fractions of cubic meters and dial for liters.
- Special, anti fogging clockworks that can be rotated around 360°.
- Horizontal installation.
- Pre-equipped for remote reading.
- Special counter pivot (in Teflon and steel) which increases accuracy at low flowrates.
- The meter is provided with a special 1/2" pressure tap for connection of pressure transducer.
- The meter can be supplied with initial verification mark on request.



HYDRAULIC CHARACTERISTICS AND DIMENSIONS

DIAMETER	mm	50	65	80	100
Qmin (real value)	m ³ /h	0.07	0.10	0.10	0.14
Qmin (approval value)	m ³ /h	0.09	0.12	0.18	0.30
Qt	m ³ /h	0.225	0.30	0.45	0.75
Qn	m ³ /h	15	20	30	50
Qmax (real value with Δp = 1bar)	m ³ /h	36	52	95	130
Qmax (approval value)	m ³ /h	30	40	60	100
Starting flow	m ³ /h	0.015	0.02	0.04	0.045
Max reading	m ³	10 ⁶	10 ⁶	10 ⁶	10 ⁶
Min reading	l	1	1	1	1
H	mm	251	262	303	307
h1	mm	70	80	95	105
h2	mm	107	113	123	125
A	mm	300	300	350	350
L	mm	193	203	263	265
I	mm	110	110	163	155
D	mm	165	185	200	220
weight	kg	13.10	14.80	23.20	27.40
PN	PN bar	16	16	16-10	16
EEC approval number		F96.382.003	F96.382.003	F96.382.00	F96.382.003



MADDALENA S.P.A.

Factory Via G.B. Maddalena 2/4 • 33040 POVOLETTO UDINE • ITALY

E-mail: info@maddalena.it • www.maddalena.it • Tel. +39 0432 634811 • Telefax +39 0432 679820

We reserve the right to introduce any modification which may improve the quality of our product. Our technical staff is at your service for further information and to help you solve your technical problems.