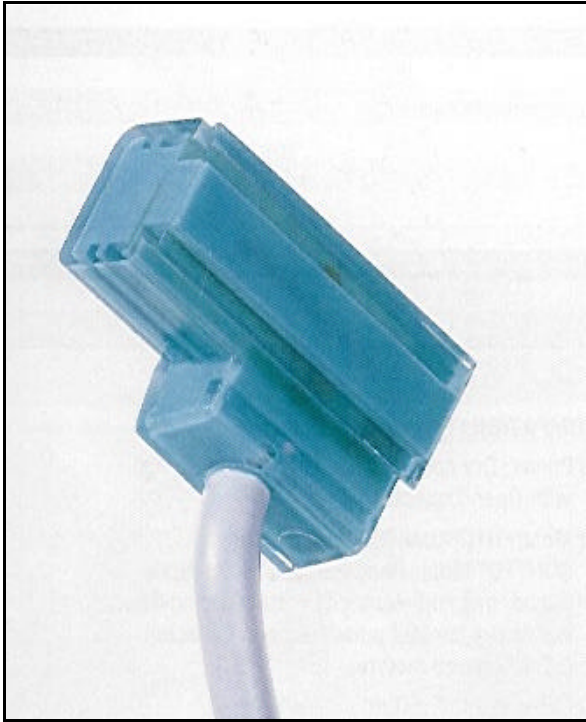


## DATAWATER WOLTMANN METER REED SWITCH PULSE EMITTER



### CHARACTERISTICS

“Reed-switch” pulse emitter suitable to be used with the DATAWATER line Woltmann meters, for the models WP (horizontal helix), WS (vertical helix), WPV (compound meter).

In combination with the serially integrated magnet in the water meter counter, the sensor gives a pulse frequency proportional to the flow.

The output signal can be used for remote counters, batching, etc.

- Easy installation or replacement of the sensor, without affecting the calibration/verification of the meter.
- The meter is pre-equipped for two different pulse outputs.
- Possibility to install two pulse emitters at the same time with two different pulse values.

### PULSE VALUES AVAILABLE

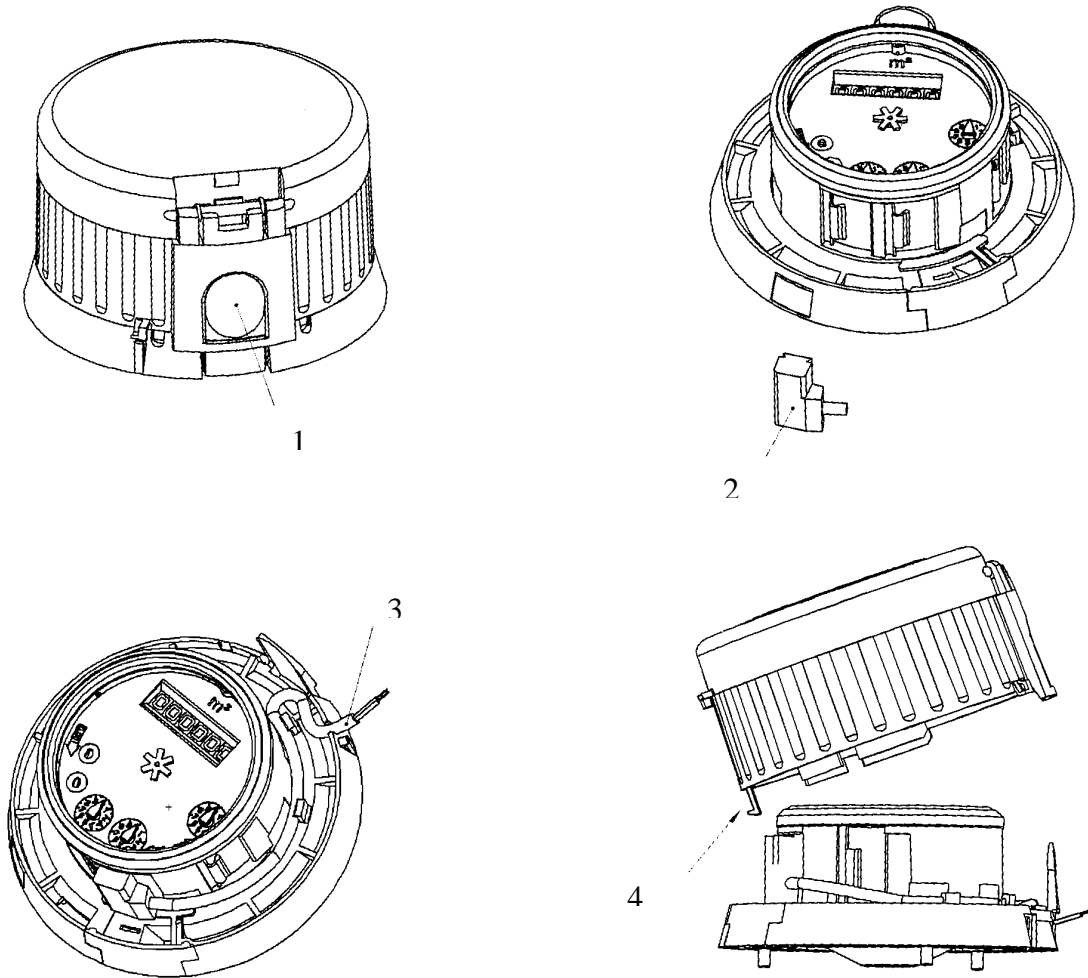
DATAWATER WP	ND 50 - 125 mm	ND 150 - 300 mm	ND 400 - 500 mm
Pre-equipment (m <sup>3</sup> /imp)	0.1 - 1	1 - 10	10 - 100
Other pulse outputs available on request (m <sup>3</sup> /imp)	0.025 - 0.05 - 0.25 - 0.5	0.25 - 0.5 - 2.5 - 5	2.5 - 5 - 25 - 50

DATAWATER WS	ND 50 - 100 mm	ND 150 mm
Pre-equipment (m <sup>3</sup> /imp)	0.1 - 1	1 - 10
Other pulse outputs available on request (m <sup>3</sup> /imp)	0.0025 - 0.005 - 0.01 - 0.025 - 0.05 - 0.25 - 0.5	0.025 - 0.05 - 0.1 - 0.25 - 0.5 - 2.5 - 5

### TECHNICAL CHARACTERISTICS

Type of contact:	Reed Switch - basically closed -
Contact load:	24 V ca - 0.2 A
Protection Class:	IP 68
Cable length (standard)	2 m (10 m on request)
Execution of cable	2 X 0.25 mm <sup>2</sup>
Working temperature:	-25 to + 90°C
Storage temperature:	-40 to + 90°C

## INSTALLATION INSTRUCTIONS:



- Remove protective cover by pressing in the catch (1)
- Press transmitter (2) into the desired position on the counter (the pulse sequence can be read off the dial). This is done by pressing the transmitter against the spring and engaging it in position by pressing against the counter.
- Press the transmitter cable between the cams on the cover ring and the counter wall for strain relief purpose.
- Then bring over the cable through the U-shaped cut-out (3)
- Snap the protective cover into the cover ring with the catch (4) first

